

**No limit on the number  
of installed devices**

*Yunion Telecommunications Industry CO.,LTD*

# All-round nurse call for long-term care facilities

*Individual self activation method for each corridor lamp*

*Controller unnecessary innovative nurse call system*

## *CARE-CALL II*

**Extremely low price,**

**long life and easy construction!**



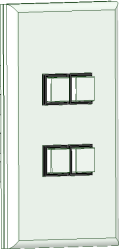
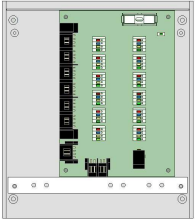
**Data setting • No need to set the**

**Suitable for all nursing care facilities**

Handy nurse call is usable      Either a nurse call can talk or a simple nurse call can be used

Do not use control device      It operates with exclusive corridor lamp and power supply only

### *CARE-CALL II Device list*

<p>Item name      Single room corridor lamp Part number    C C II - L A - S / C</p>	<p>Item name      Power supply for corridor lamp Part number    C C II - A D - B</p>
 <p>Type operating in their own power</p> <ul style="list-style-type: none"> <li>◆ With connection terminal for call button</li> <li>◆ With connection terminals for power input</li> <li>◆ With connection terminal for alarm output (Both individual and multi-purpose calls)</li> <li>◆ It has a terminal for multi wiring</li> </ul>	 <p>Standard products are DC-24V</p> <ul style="list-style-type: none"> <li>◆ For simple nurse call</li> <li>◆ Can use up to 20 circuits</li> <li>◆ Have two output terminals</li> <li>◆ There is a terminal for warning</li> </ul>
<p>Item name      Corridor lamps for a number of bed Part number    C C II - A D 2 - C D</p>	<p>Item name      Relay box for connecting hallway lamps Part number    C C II - T B O X</p>
<p>As 2 bed to 4 bed</p>  <p>Type operating in their own power</p> <ul style="list-style-type: none"> <li>◆ With connection terminal for call button</li> <li>◆ With connection terminal for intercom phone intercom</li> <li>◆ With connection terminals for power input</li> <li>◆ With connection terminal for alarm output</li> </ul>	<p>Power can also be sent</p>  <p>Standard products are DC-24V</p> <ul style="list-style-type: none"> <li>◆ For nurse call for informing individually</li> <li>◆ 12 hallway lights can be connected</li> <li>◆ Have two phone relay terminal</li> <li>◆ AC-ADP is attached</li> </ul>

※ If you use it as a handy nurse and a calling type, you need a separate telephone facility.

# ✧ ✧ ✧ ✧ ✧ 1 to unlimited ✧ ✧ ✧ ✧ ✧

**It is an innovative product**

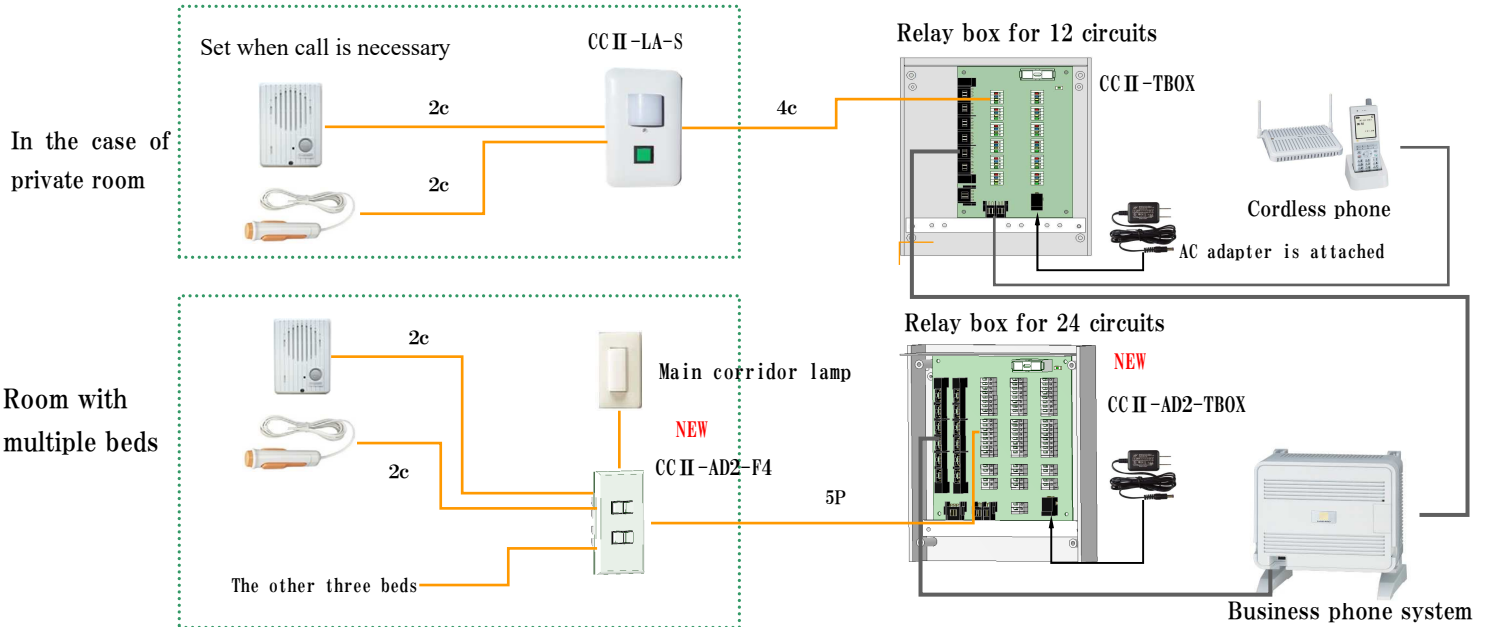
**There is no limit on the quantity of equipment that can be used**

**It is supported for all nursing care facilities from small to large scale**

★ A simple nurse call is a common reporting formulas and full-fledged nurse calls are reported individually

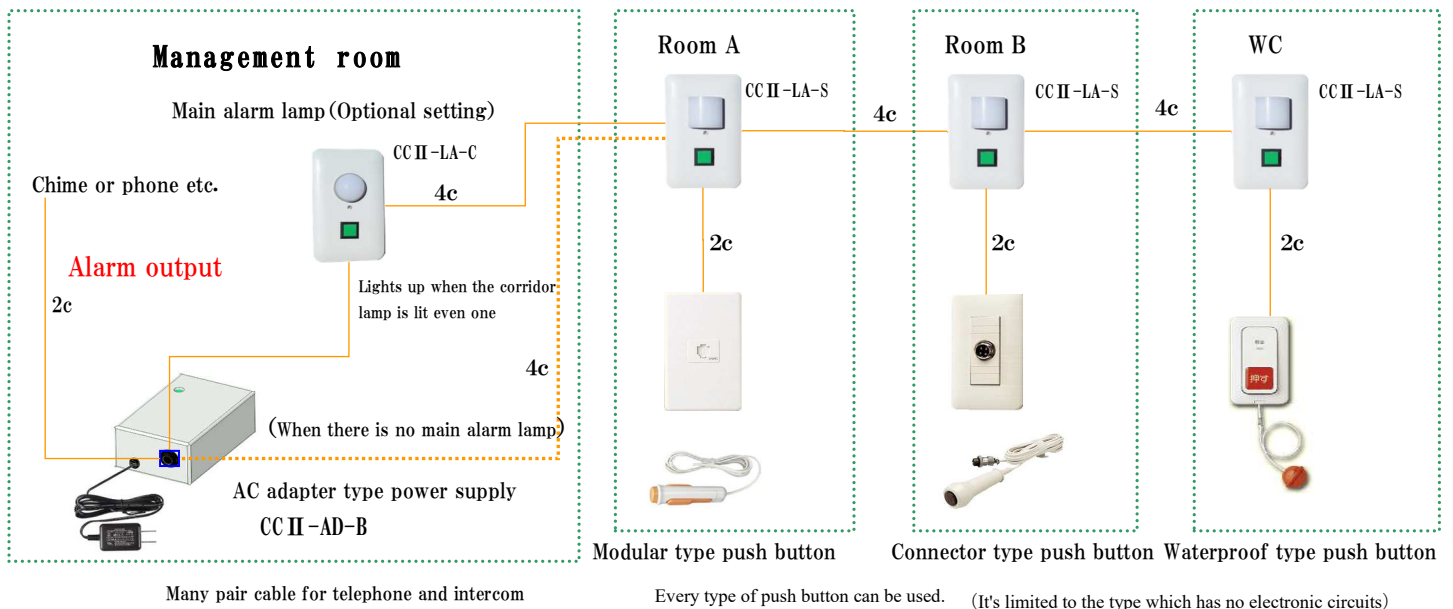
◎ **For Medium / Large Scale Nursing Care Facilities**

Example of use as a nurse call using a handy nurse call



◎ **For small scale care facilities**

Example of use as a simple nurse call



⚠ **Notes** When installing the equipment please follow the construction manual

◆ The described is as of June 2017.

◆ The color of the actual product may differ from the catalog.

◆ Instruction manual, appearance and price of are product to changed without prior notice.

**Yunion Telecommunications Industry CO.,LTD**

URL <http://yunion.website>

E-mail [info@yunion.website](mailto:info@yunion.website)

Tel : 029-248-0246 Fax : 029-248-0573

1561 Motodai-machi, Mito-shi, Ibaraki-ken, Japan 300-0835